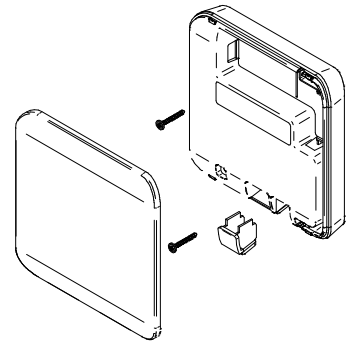
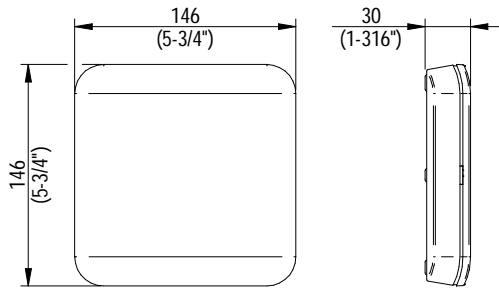
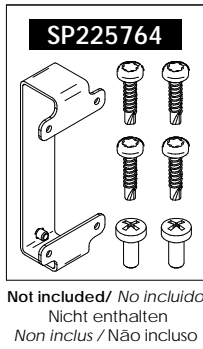
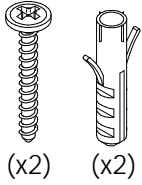


# Installation guide

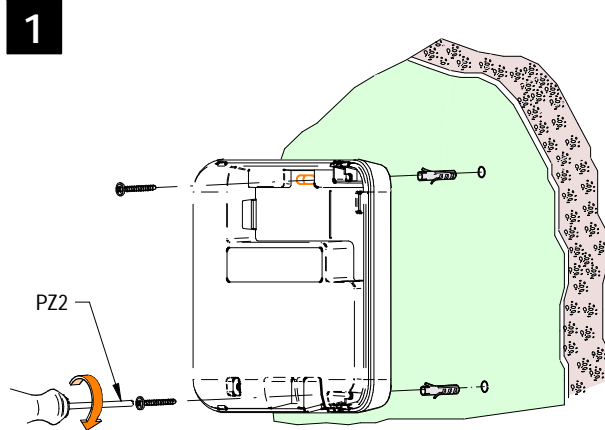
## IQ2.0

**SALTO**  
inspiredaccess

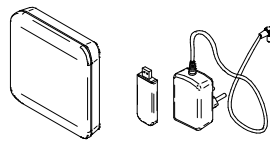
- Eng Installation guide
- E Guía de instalación
- D Montageanleitung
- F Guide d'installation
- P Guia de instalação



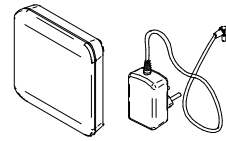
Eng Installation E Instalación D Installation F Installation P Instalação



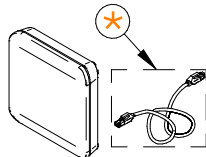
**a** ETHERNET + CELLULAR MODEL



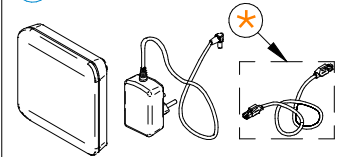
**b** ETHERNET + WIFI MODEL



**c** ETHERNET + POE MODEL

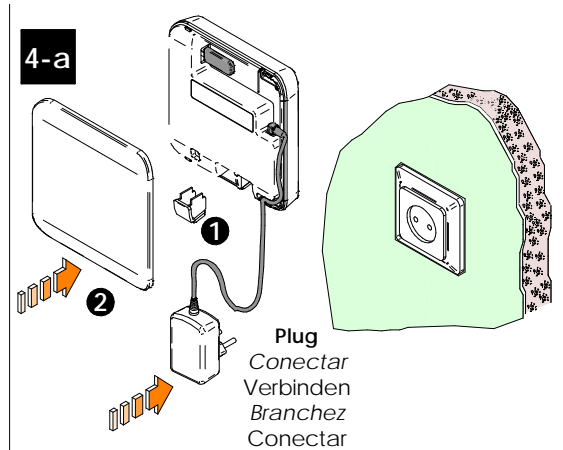
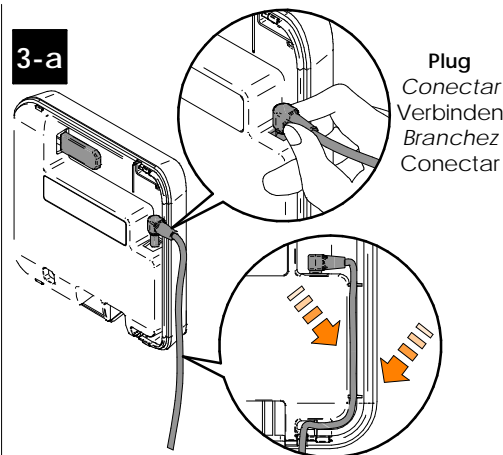
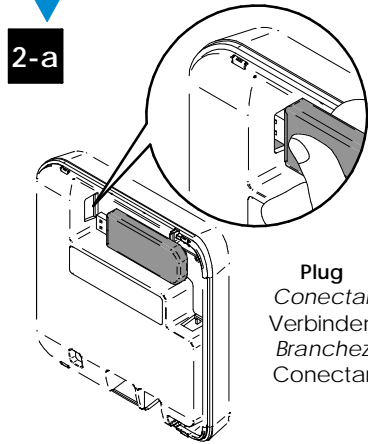


**d** ETHERNET MODEL

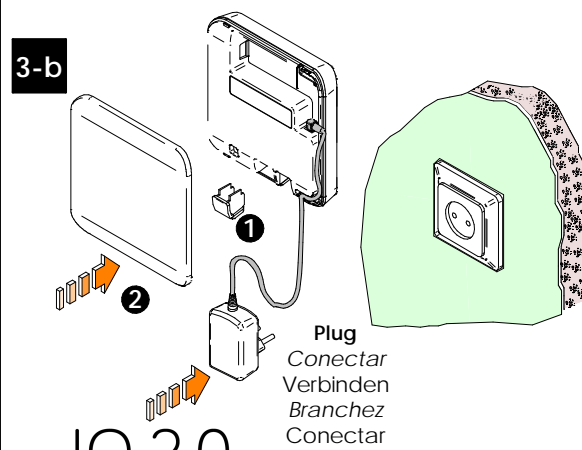
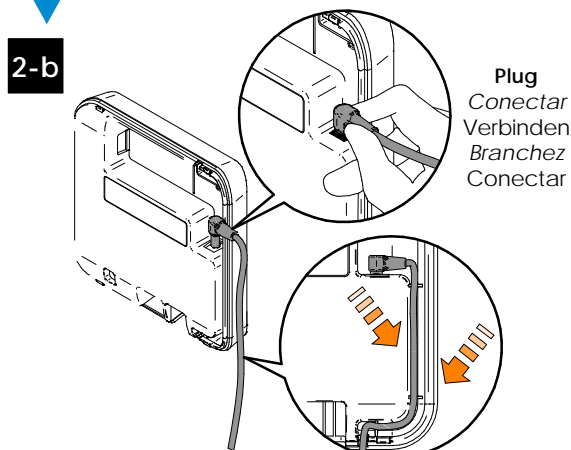


(\*)Not included/ No incluido/ Nicht enthalten/ Non inclus/ Não incluso

**a** ETHERNET + CELLULAR MODEL



**b** ETHERNET + WIFI MODEL

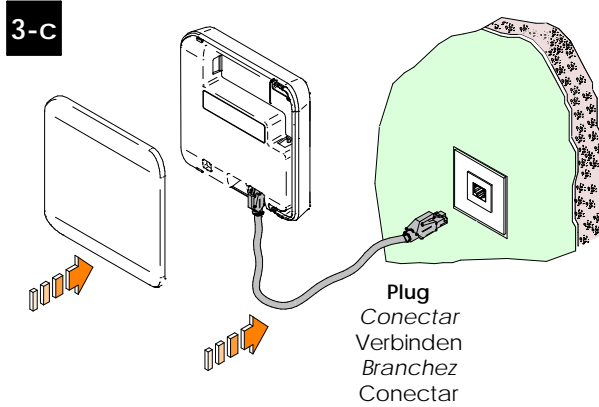
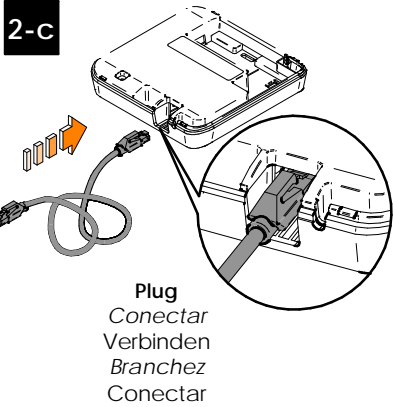


# Installation guide

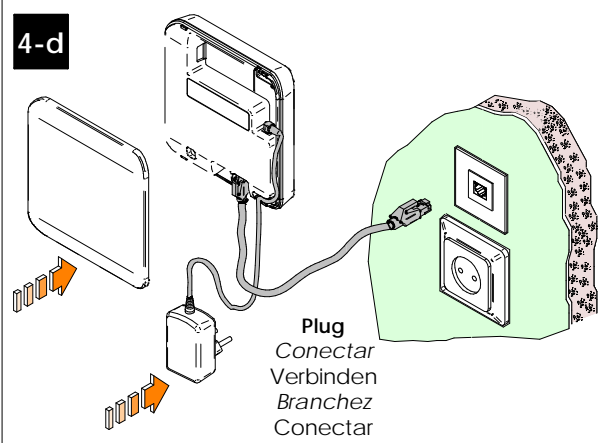
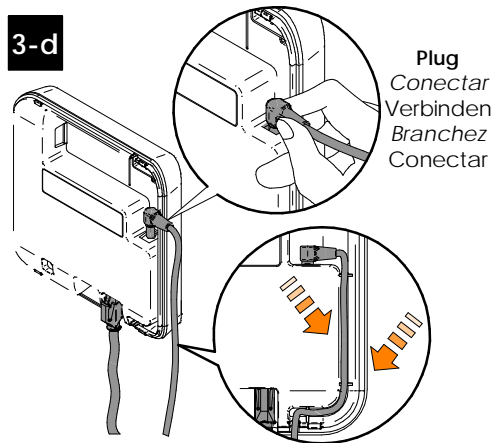
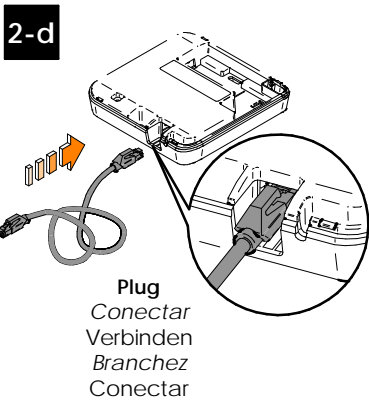
IQ2.0

**SALTO**  
inspiredaccess

## **c** ETHERNET + POE MODEL

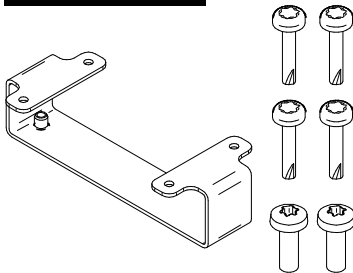


## **d** ETHERNET MODEL



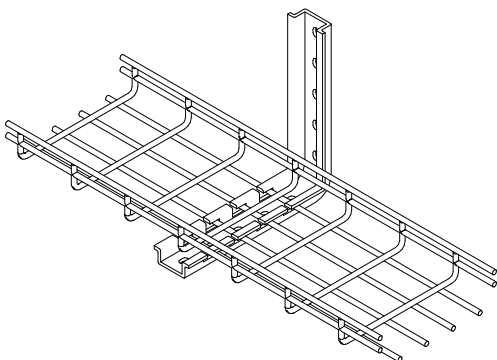
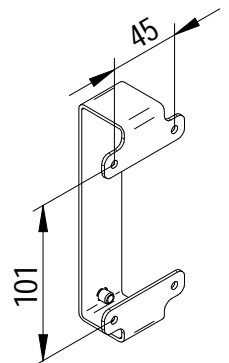
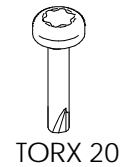
## IQ 2.0 SUPPORT

**SP225764**

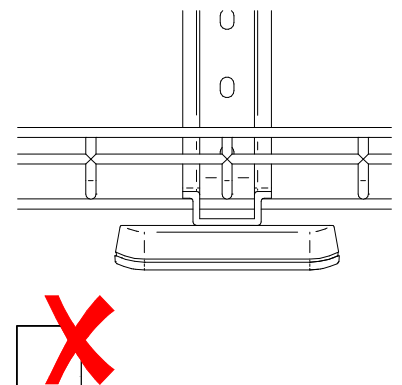
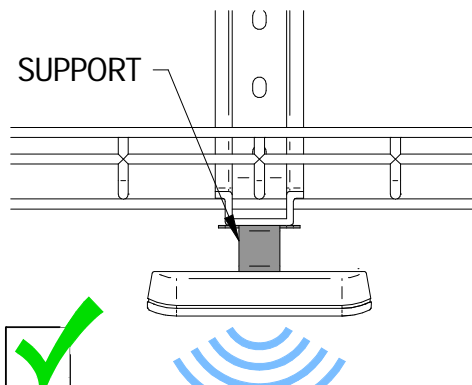


**For installations on metal surfaces**  
*Para instalaciones sobre superficies metálicas*  
*Für die Montage auf Metalloberflächen*  
*Pour installations sur des surfaces métalliques*  
*Para instalações em superfícies metálicas*

**Not included / No incluido / Nicht enthalten / Non inclus**  
Não incluso

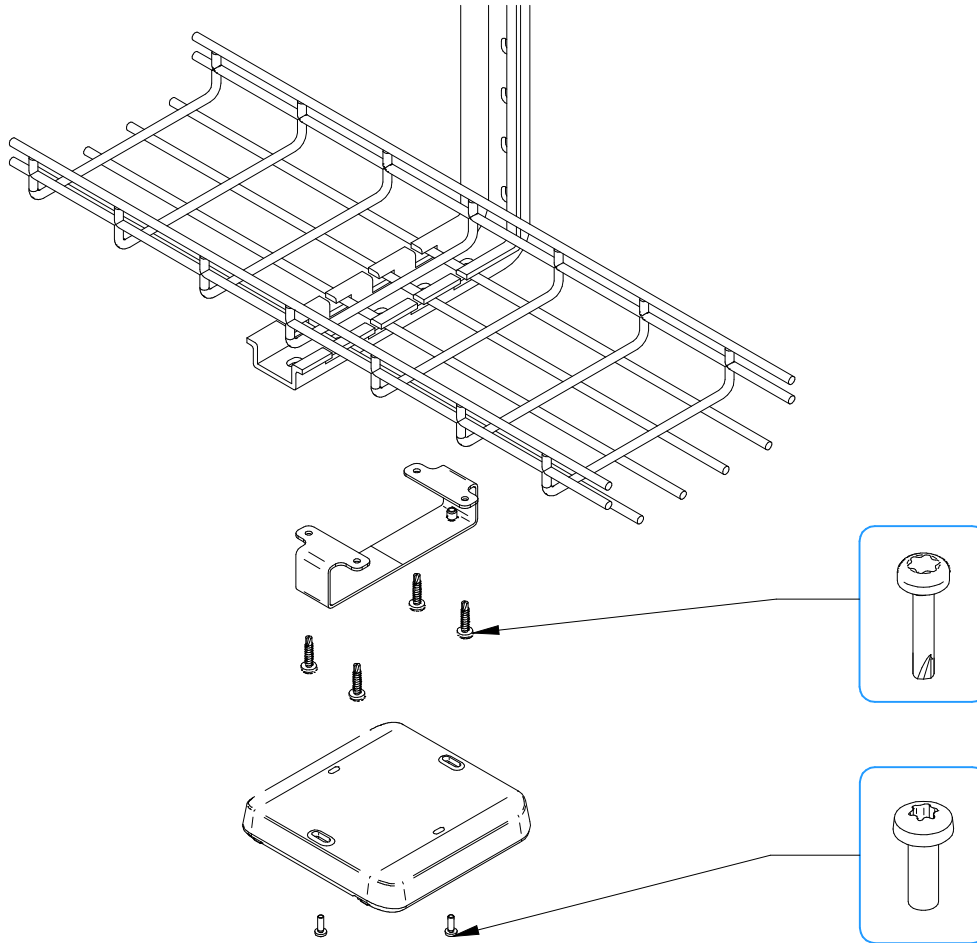


SUPPORT



**IQ 2.0**

1



**Eng Electrical features**

- E Características eléctricas
- D Elektrische espezifikationen
- F Caracteristiques electriques
- P Características eléctricas

**OPERATION CONDITIONS**

	Min	Max	Unit
Temperature	0	40	°C

**2.4 Ghz RF CHARACTERISTICS**

Frequency Range	2405-2480 Mhz (ISM band)
RF Standard	IEEE 802.15.4
Indoor Radio Range	Up to 7m

**POWER SUPPLY CHARACTERISTICS**

(Only for use with Clay's power supply)

		Unit
Input Voltage	12	V
Max Current	800	mA

**OTHER CHARACTERISTICS:**

<b>WIFI</b>
IEEE 802.11 b/g/n radio

<b>BLE</b>
Bluetooth 4.2 Compliant
Integrated antenna
TX power: up to +8dBm
RX sensitivity: down to -92dBm
Range: 10-15m*

\* PoE + WiFi variant might suffer range reduction of up to 30%.

<b>POE</b>
The POE connection complies to IEEE 802.3af (max 15.40W, also known as 802.3a Type 1)

To ensure a correct operation, do not install the device near a metallic surface.

Para asegurar un correcto funcionamiento, no instalar el dispositivo cerca de una superficie metálica.

Um einen einwandfreien Betrieb zu gewährleisten, installieren Sie das Gerät dann nicht in der Nähe von einer metallischen Oberfläche.

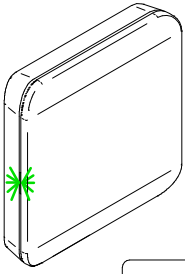
Pour assurer un fonctionnement correct, n'installez pas l'appareil près d'une surface métallique.

Para assegurar o funcionamento adequado, não instale o aparelho perto de uma superfície de metal



# LED Signals

## IQ2.0



LED MODE	LED COLOUR	STATUS INDICATION
Blink BLUE twice		Normal Power Up
Blink long BLUE		Software reset
Blink RED GREEN BLUE		Factory reset
Blink short BLUE		IQ2.0 firmware update
Blink short GREEN (2 minutes)		Until BLE connection is established
Blink long GREEN		BLE connection is established
Blink short RED		No connection to the cloud
Blink long PURPLE		Not valid subscription found
Permanent WHITE		Factory mode